

## Lasius...?

Lasius is a Latin name for a species of ant. As we all know, ants are small, can get through the smallest passages with everything they can carry, and despite their size, are very strong. Winlet Lasius has the same characteristics - and hence the name.



# Winlet Lasius 1t

## New opportunities - new savings

Winlet Lasius 1t gives traditional crane and handling solutions tough competition. Its unique performance results in savings in time and invested capital.

Winlet Lasius 1t is ideal for:

- Erecting steel beams and other building elements
- Glass and facade installation
- Machine assembly
- Repair work
- Packing of non-palletized goods in containers

The compact design makes it possible to reach where other heavier and bigger machines have to give up, due to their physical size, surface pressure, turning radius or low lifting capacity on the move.

Winlet Lasius 1t runs with a maximum permitted speed of 4.2 kph - double that of mini cranes on tracks for example, and neither does it need to be levelled by outrigger legs like most mini cranes.

Because the Winlet Lasius 1t is battery-powered and therefore does not emit harmful exhaust gases, it can be used indoors with no environmental problems.

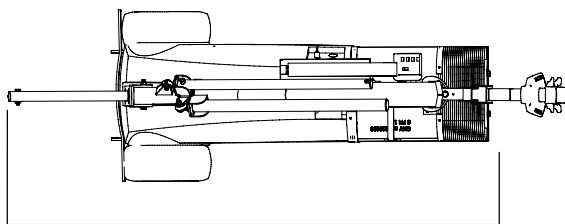
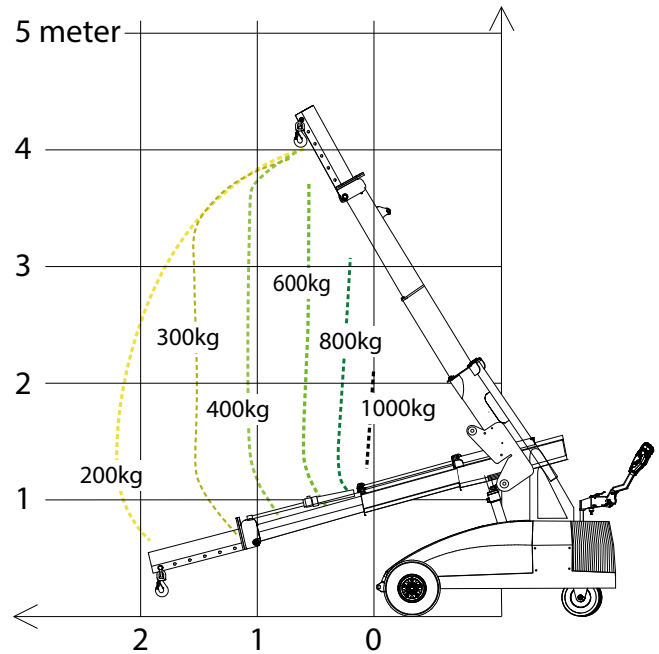


# Winlet Lasius 1t

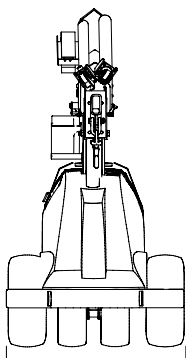
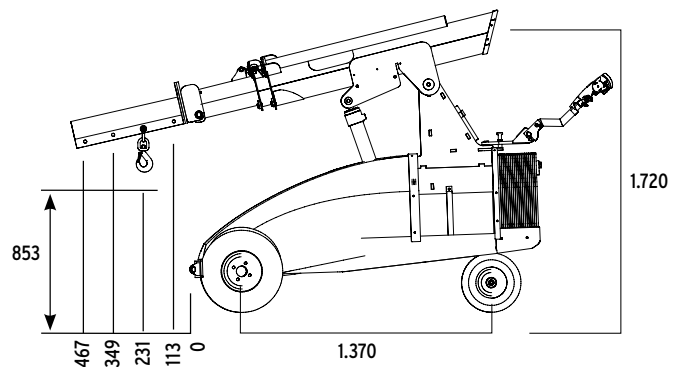
## SPECIFICATIONS\*

EXTERNAL LENGTH	2.500 MM
EXTERNAL WIDTH	880 MM
MAX LIFTING CAPACITY	1.000 KG
MAX LIFTING HEIGHT	4.000 MM
MAX SPEED	0-4.2 KPH
TOTAL WEIGHT excl. counterweights	1.050 KG
TOTAL WEIGHT incl. counterweights	1.325 KG
BATTERIES	2 x 150 AH
OPERATING HOURS - On fully charged batteries	12 HOURS
CHARGING TIME	8-10 HOURS

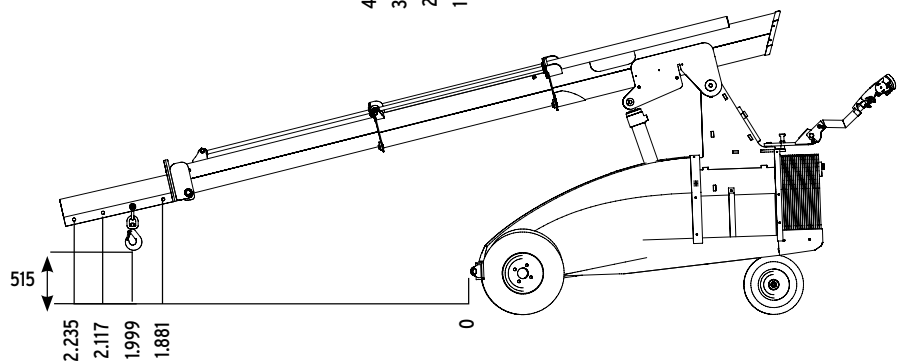
## LIFTING DIAGRAM MAX. LOAD 1.000 KG



2500



880



\* The dimensions are indicative and may vary +/- 10mm. The photographs and/or drawings in this document are for illustrative purposes only.

# Winlet - Superior usability



## User friendly operating panels of your choice

Choose between two different types of operating panels for your Winlet:

1. **MAC (Multi Axis Control)**, which allows controlling of more hydraulic functions at a time. The operator can adjust the speed at the levels: 10 % - 50 % - 100 %.

2. **PSAC (Proportional Single Axis Control)**, the traditional Winlet controls, where one function is operated step-less.

If you need to control the Winlet from a distance, we recommend our radio remote control.

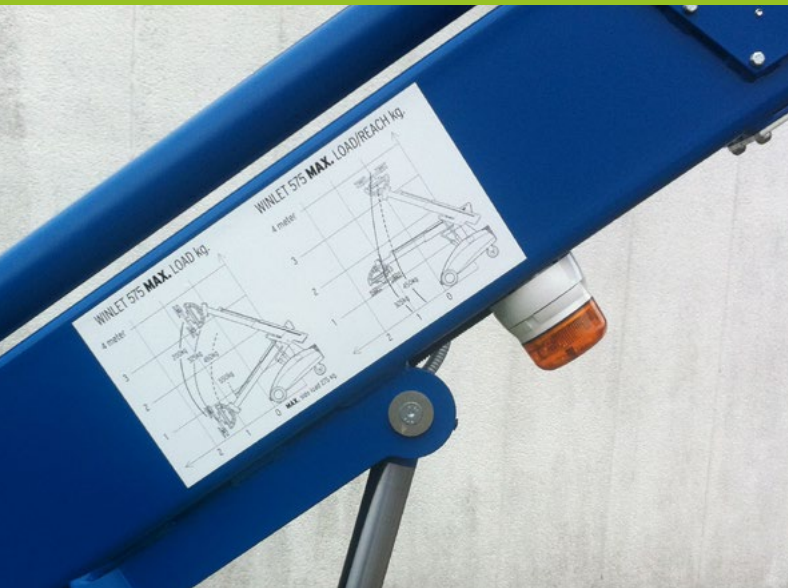
All operating panels are waterproof, according to the IP65 regulations.

## Safety first!

All Winlets are equipped with a state-of-the-art overload monitoring system, which continuously measures the point loading on the steering wheels. If point loading is getting too low the system will automatically cut off the hydraulic functions and only allow hydraulic cylinders to bring the load closer to the machine.



# Winlet accessories



## Make the most of your Winlet

Winlet comes with a wide range of accessories. Here is a few of our most popular items:

- **LIFTING FORK & LIFTING HOOK**
  - for lifting of pallets or with straps
- **LIFTING SLING**
  - for lifting the Winlet by crane
- **SHUT-OFF VALVES**
  - on suction cups
- **QUICK CONNECTORS**
  - on suction cups or main supply
- **EXTENSION OF THE BEAMS**
  - customized cross - and main beams
- **RADIO REMOTE CONTROL**
- **QUICK SHIFT FOR TELEHANDLER**

Please consult our experts to find the right accessories for your project.



## Lifts all airtight material

All Winlet glazing robots can easily be adapted to lift a wide range of materials by changing the suction cups. This makes Winlet ideal when handling:

- |               |               |
|---------------|---------------|
| GRANITE       | WOODEN PLATES |
| CONCRETE      | TILES         |
| PLASTERBOARDS | FIRE DOORS    |
| STEEL PLATES  |               |

