



Winlet 600

Minimum space - Maximum capacity

With a load capacity of 600 kg. Winlet 600 is designed to handle heavier windows, sheet glass and other airtight material in the construction industry.

The Winlet 600 has 4 hydraulic functions and a vacuum swivel.

High precision and power

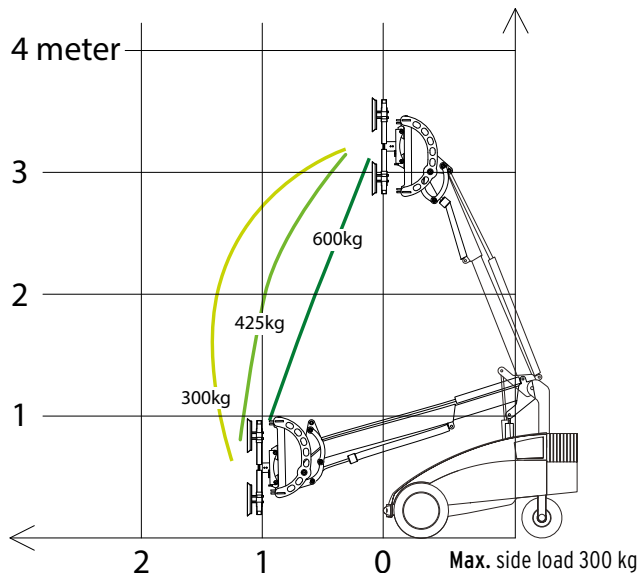
The unique adjustment options for the suction cups and the linear movements at the front make the Winlet 600 an obvious choice for installation jobs where precision is important, while enabling items of up to 600 kg to be handled without back strain.

The powerful wheel drive makes Winlet 600 ideal not only indoors but also in outdoor terrain.

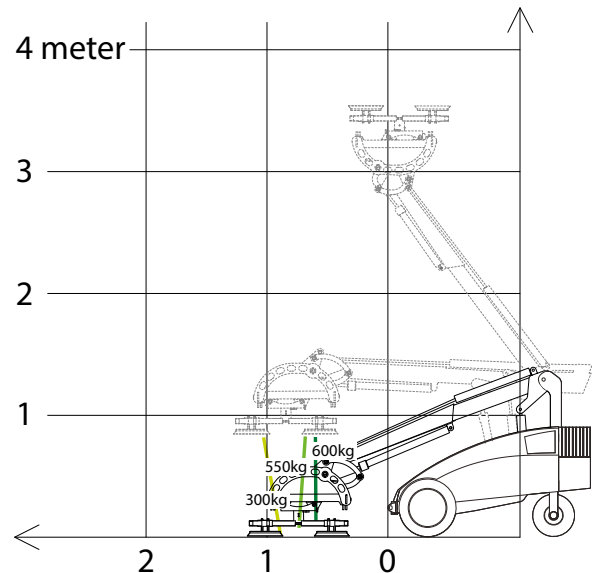


Winlet 600

REACH DIAGRAM

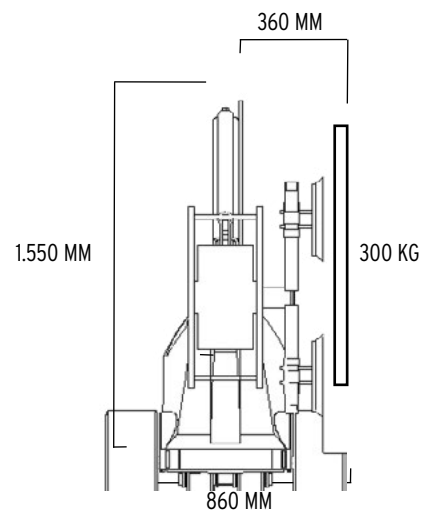
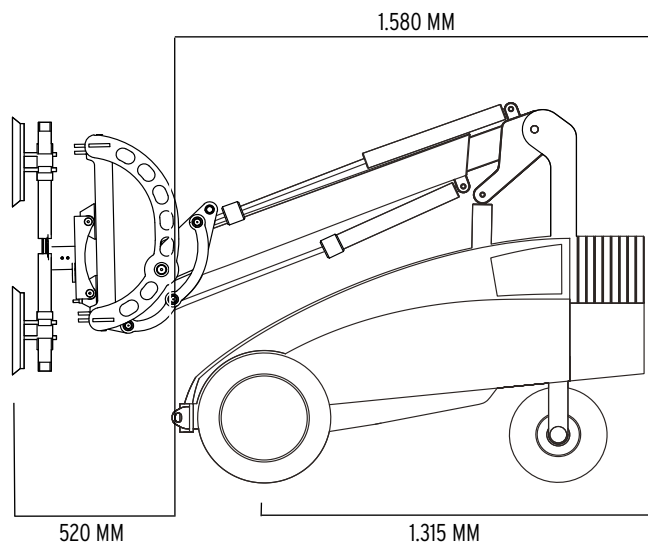


PICKUP AND PLACE DIAGRAM



SPECIFICATIONS*

EXTERNAL LENGTH	1.580 MM	MAX LIFTING HEIGHT - to center of lifting yoke	3.300 MM
EXTERNAL WIDTH	860 MM	SIDE SHIFT	90 MM
MAX LOAD	600 KG	HYDRAULIC FINE LIFT ON ARM	190 MM
MAX LOAD AT MAX EXTENSION	300 KG	TILT FUNCTION OF THE FRONT - Horizontal arm	BACK: 30° FORTH: 86°
MAX SIDE MOUNTED LOAD	300 KG	ROTATION	ENDLESS
TOTAL WEIGHT excl. counterweights	865 KG	SUCTION CUPS	4 X Ø385 MM
TOTAL WEIGHT incl. counterweights	1.060 KG	BATTERIES	2 X 95 AH
EXTENSION MIN/MAX- front bumper to suction cup	600 MM / 1300 MM	MAX SPEED	0-5 KPH



* The dimensions are indicative and may vary +/- 10mm. The photographs and/or drawings in this document are for illustrative purposes only.

Winlet - Superior usability



User friendly operating panels of your choice

Choose between two different types of operating panels for your Winlet:

1. **MAC (Multi Axis Control)**, which allows controlling of more hydraulic functions at a time. The operator can adjust the speed at the levels: 10 % - 50 % - 100 %.

2. **PSAC (Proportional Single Axis Control)**, the traditional Winlet controls, where one function is operated step-less.

If you need to control the Winlet from a distance, we recommend our radio remote control.

All operating panels are waterproof, according to the IP65 regulations.

Safety first!

All Winlets are equipped with a state-of-the-art overload monitoring system, which continuously measures the point loading on the steering wheels. If point loading is getting too low the system will automatically cut off the hydraulic functions and only allow hydraulic cylinders to bring the load closer to the machine.



Winlet accessories



Make the most of your Winlet

Winlet comes with a wide range of accessories. Here is a few of our most popular items:

- **LIFTING FORK & LIFTING HOOK**
 - for lifting of pallets or with straps
- **LIFTING SLING**
 - for lifting the Winlet by crane
- **SHUT-OFF VALVES**
 - on suction cups
- **QUICK CONNECTORS**
 - on suction cups or main supply
- **EXTENSION OF THE BEAMS**
 - customized cross - and main beams
- **RADIO REMOTE CONTROL**
- **QUICK SHIFT FOR TELEHANDLER**

Please consult our experts to find the right accessories for your project.



Lifts all airtight material

All Winlet glazing robots can easily be adapted to lift a wide range of materials by changing the suction cups. This makes Winlet ideal when handling:

- | | |
|---------------|---------------|
| GRANITE | WOODEN PLATES |
| CONCRETE | TILES |
| PLASTERBOARDS | FIRE DOORS |
| STEEL PLATES | |

