



Winlet 575

Minimum space - Fully hydraulic

Winlet 575 is the smallest of our fully hydraulic glazing robots with a load capacity of 575 kg.

Winlet 575 has 6 hydraulic functions, with both lateral/vertical movement and rotation being hydraulically triggered.

The movements of the front of Winlet 575 are 100% linear, which is required by the professional users when, for example, installing glass in prefabricated frames.

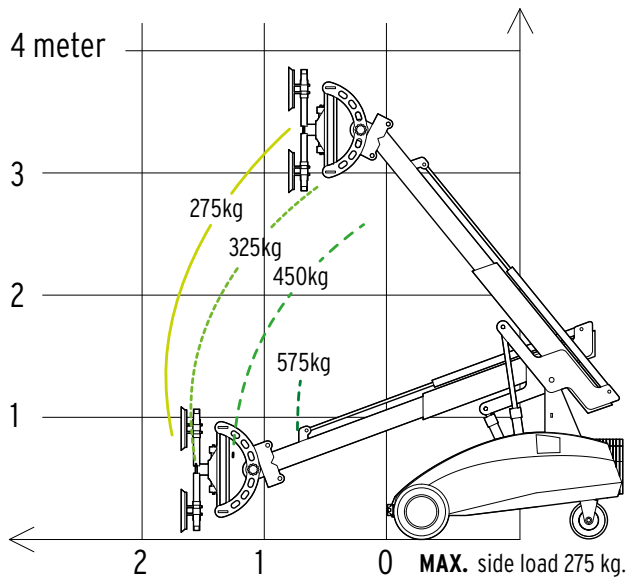
Safe and precise

Winlet 575 has a unique "gyro function", which ensures that the glass is automatically maintained in the same position when an element is lifted with the main arm.

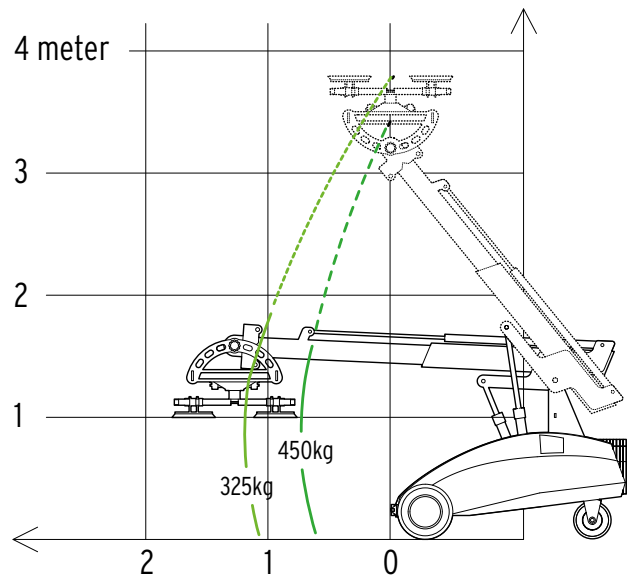


Winlet 575

REACH DIAGRAM

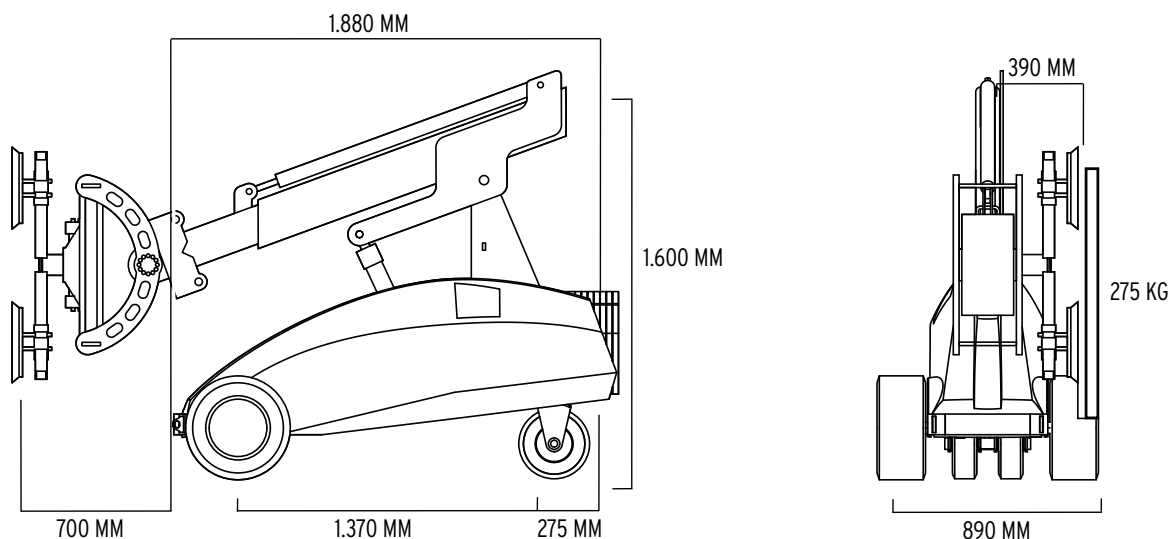


PICKUP AND PLACE DIAGRAM



SPECIFICATIONS*

EXTERNAL LENGTH	1.880 MM	MAX LIFTING HEIGHT - To center of lifting yoke	3.600 MM
EXTERNAL WIDTH	890 MM	HYDRAULIC SIDE SHIFT	100 MM
MAX LOAD	575 KG	HYDRAULIC FINE LIFT ON ARM	200 MM
MAX LOAD AT MAX EXTENSION	275 KG	HYDRAULIC ROTATION	360 °
MAX SIDE MOUNTED LOAD	275 KG	TILT FUNCTION OF THE FRONT - Horizontal arm	BACK: 60° FORTH: 86°
TOTAL WEIGHT excl. counterweights	1.025 KG	SUCTION CUPS	4 X Ø350 MM
TOTAL WEIGHT incl. counterweights	1.300 KG	BATTERIES	2 X 150 AH
EXTENSION MIN/MAX - Front bumper to suction cup	700 MM / 1.800 MM	MAX SPEED	0-5 KPH



* The dimensions are indicative and may vary +/- 10mm. The photographs and/or drawings in this document are for illustrative purposes only.

Winlet - Superior usability



User friendly operating panels of your choice

Choose between two different types of operating panels for your Winlet:

1. **MAC (Multi Axis Control)**, which allows controlling of more hydraulic functions at a time. The operator can adjust the speed at the levels: 10 % - 50 % - 100 %.

2. **PSAC (Proportional Single Axis Control)**, the traditional Winlet controls, where one function is operated step-less.

If you need to control the Winlet from a distance, we recommend our radio remote control.

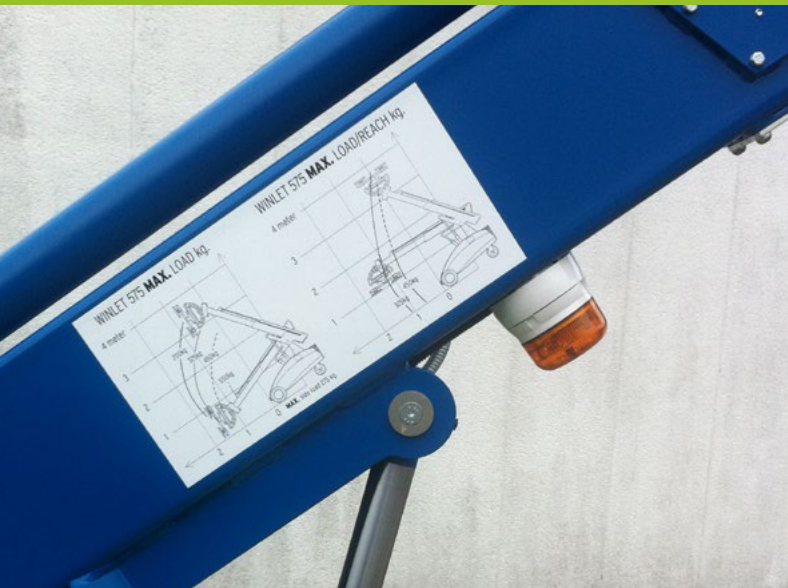
All operating panels are waterproof, according to the IP65 regulations.

Safety first!

All Winlets are equipped with a state-of-the-art overload monitoring system, which continuously measures the point loading on the steering wheels. If point loading is getting too low the system will automatically cut off the hydraulic functions and only allow hydraulic cylinders to bring the load closer to the machine.



Winlet accessories



Make the most of your Winlet

Winlet comes with a wide range of accessories. Here is a few of our most popular items:

- **LIFTING FORK & LIFTING HOOK**
 - for lifting of pallets or with straps
- **LIFTING SLING**
 - for lifting the Winlet by crane
- **SHUT-OFF VALVES**
 - on suction cups
- **QUICK CONNECTORS**
 - on suction cups or main supply
- **EXTENSION OF THE BEAMS**
 - customized cross - and main beams
- **RADIO REMOTE CONTROL**
- **QUICK SHIFT FOR TELEHANDLER**

Please consult our experts to find the right accessories for your project.



Lifts all airtight material

All Winlet glazing robots can easily be adapted to lift a wide range of materials by changing the suction cups. This makes Winlet ideal when handling:

- | | |
|---------------|---------------|
| GRANITE | WOODEN PLATES |
| CONCRETE | TILES |
| PLASTERBOARDS | FIRE DOORS |
| STEEL PLATES | |

