



Winlet 375

Maximum capacity - minimum space

Winlet 375 combines superior lifting capacity and reach with a unique and compact design.

With Winlet 375, you can handle heavy elements up to 375 kg bringing it through rough terrain and narrow doorways.

Due to the compact design, confined spaces such as elevators and balconies are no problem for Winlet 375.

Low weight

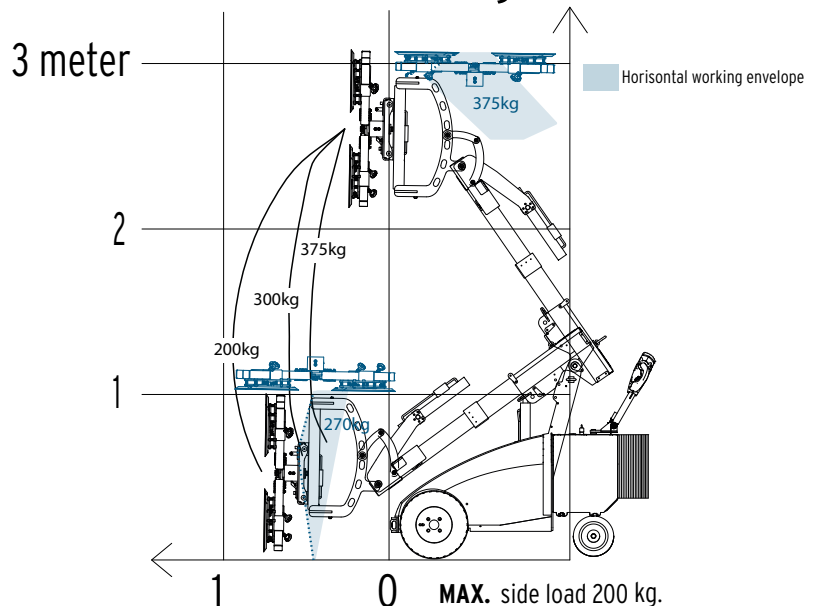
The low weight of Winlet 375 makes it possible to use it where heavier construction equipment cannot be used due to surface pressure.



Winlet 375

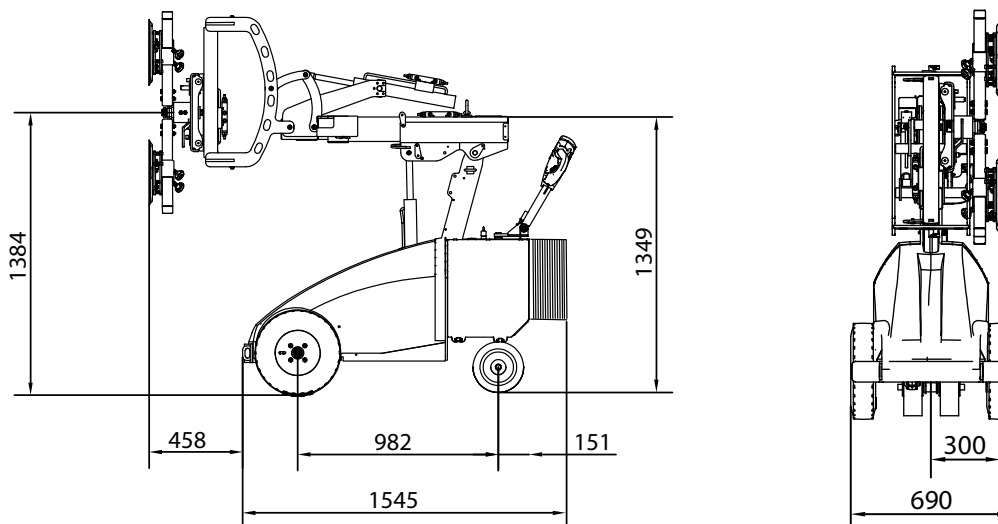


WINLET 375 MAX. LOAD kg.



SPECIFICATIONS*

EXTERNAL LENGTH	1.545 MM	HYDRAULIC FINE LIFT ON ARM	200 MM
WIDTH - Single mounted tires	690 MM	TILT FUNCTION OF FRONT - Horizontal arm	BACK: 45° FORTH: 97°
WIDTH - Twin mounted tires	920 MM	ROTATION	ENDLESS
TOTAL WEIGHT - Excl. Counterweights	578 KG	SUCTION CUPS	4 X Ø310 MM (Ø360/Ø410 MM)**
TOTAL WEIGHT - Incl. Counterweights	732 KG	FRONT WHEEL DRIVE - 24v AC transaxle	1200W
MAX LOAD ARM IN/OUT	375 KG/ 200 KG	MAX SPEED	0-5 KPH
MAX SIDE MOUNTED LOAD	200 KG	BATTERIES	2 X 90 AH
EXTENSION MIN/MAX - Front bumper to suction cup	458 MM / 958 MM	OPERATING HOURS- On fully charged batteries	12 HOURS
LIFTING HEIGHT MIN/MAX - Horizontal cups down	0 MM / 890 MM	SUITABLE FOR OUTDOOR USE- Water resistant	YES
LIFTING HEIGHT MIN/MAX- Horizontal cups up	2.670 MM / 3.078 MM	INTEGRATED LIFTING EYE- For lifting of the Winlet	YES
MANUAL SIDE SHIFT	100 MM		



*The dimensions are indicative and may vary +/- 10mm. The photographs and/or drawings in this document are for illustrative purposes only.

**Optional

Winlet - Superior usability



User friendly operating panels of your choice

Choose between two different types of operating panels for your Winlet:

1. **MAC (Multi Axis Control)**, which allows controlling of more hydraulic functions at a time. The operator can adjust the speed at the levels: 10 % - 50 % - 100 %.

2. **PSAC (Proportional Single Axis Control)**, the traditional Winlet controls, where one function is operated step-less.

If you need to control the Winlet from a distance, we recommend our radio remote control.

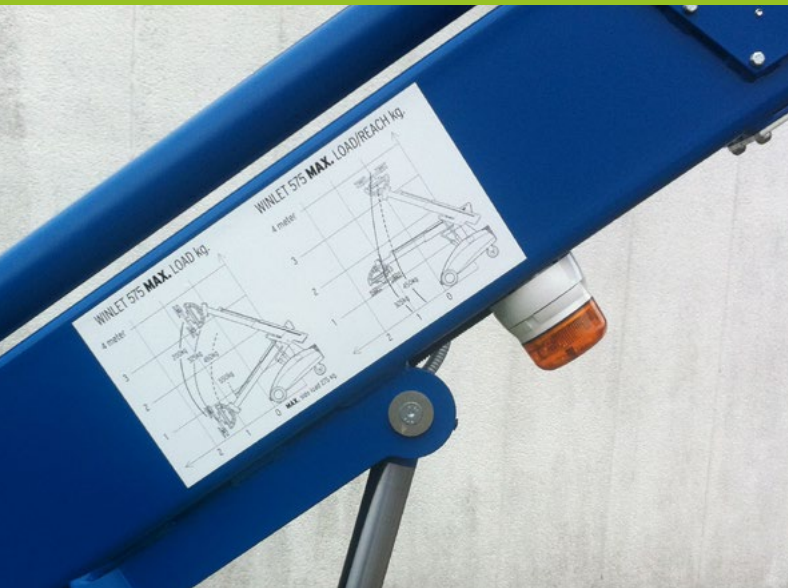
All operating panels are waterproof, according to the IP65 regulations.

Safety first!

All Winlets are equipped with a state-of-the-art overload monitoring system, which continuously measures the point loading on the steering wheels. If point loading is getting too low the system will automatically cut off the hydraulic functions and only allow hydraulic cylinders to bring the load closer to the machine.



Winlet accessories



Make the most of your Winlet

Winlet comes with a wide range of accessories. Here is a few of our most popular items:

- **LIFTING FORK & LIFTING HOOK**
 - for lifting of pallets or with straps
- **LIFTING SLING**
 - for lifting the Winlet by crane
- **SHUT-OFF VALVES**
 - on suction cups
- **QUICK CONNECTORS**
 - on suction cups or main supply
- **EXTENSION OF THE BEAMS**
 - customized cross - and main beams
- **RADIO REMOTE CONTROL**
- **QUICK SHIFT FOR TELEHANDLER**

Please consult our experts to find the right accessories for your project.



Lifts all airtight material

All Winlet glazing robots can easily be adapted to lift a wide range of materials by changing the suction cups. This makes Winlet ideal when handling:

- | | |
|---------------|---------------|
| GRANITE | WOODEN PLATES |
| CONCRETE | TILES |
| PLASTERBOARDS | FIRE DOORS |
| STEEL PLATES | |

