



Winlet 1000 Crawler

Crawled traction and low ground pressure

Winlet Crawler Bi-Leveling can operate in all types of terrain including stairs ensuring maximum maneuverability and precision even in the narrowest spaces, with a minimum of ground pressure - and without any kind of outriggers needed at any time.

Dynamic leveling

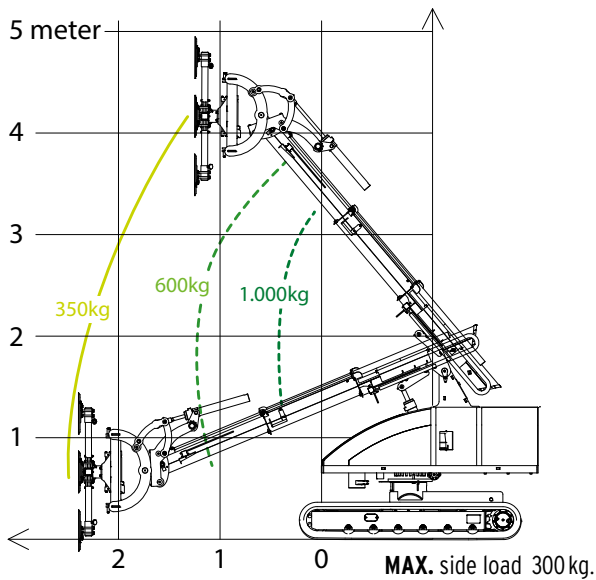
The leveling of the manipulator is completely automatic when using the Dynamic Leveling System -even on slopes or uneven surfaces.

Winlet Crawler Bi-Leveling will automatically adjust both on longitudinal slopes until 15° (27%) and lateral slopes until 14° (25%) at the same time, always ensuring a safe and effective transportation or installation.

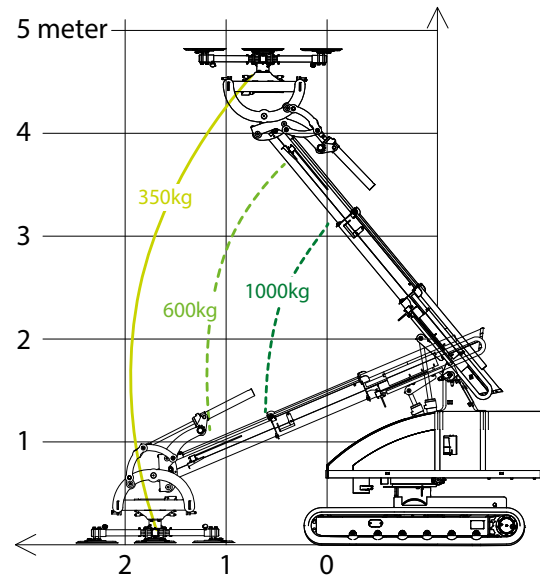


Winlet 1000 Crawler

REACH DIAGRAM

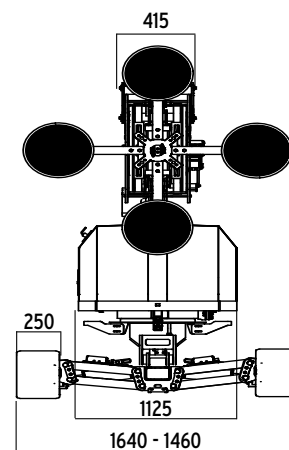
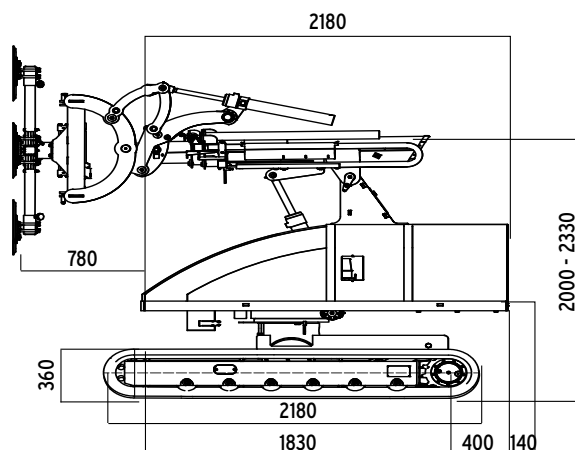


PICKUP AND PLACE DIAGRAM



SPECIFICATIONS*

EXTERNAL LENGTH	2.830 MM	MAX REACH - Carrier tilted forward	2.600 MM
EXTERNAL WIDTH	1.460 - 1.640 MM	HYDRAULIC SIDE SHIFT	75 MM
MAX LIFTING CAPACITY	1.000 KG	FINE LIFT ON ARM	200 MM
MAX LIFTING HEIGHT - Raised carrier	4.500 MM	TILT FUNCTION OF THE FRONT - Horizontal arm	BACK: 43° FORTH: 88°
MAX LIFTING HEIGHT - Lowered carrier	4.170 MM	HYDRAULIC ROTATION	360 °
TOTAL WEIGHT	2.850 KG	SUCTION CUPS	4 x ø410 MM
MAX OVERHEAD INSTALLATION - Raised carrier	5.100 MM	BATTERIES	48V, 420AH
MAX OVERHEAD INSTALLATION - Lowered carrier	4.770 MM	MAX SPEED	0- 2,2 KPH
MAX REACH - No tilt on carrier	2.200 MM		



* The dimensions are indicative and may vary +/- 10mm. The photographs and/or drawings in this document are for illustrative purposes only.

Winlet - Superior usability



User friendly operating panels of your choice

Choose between two different types of operating panels for your Winlet:

1. **MAC (Multi Axis Control)**, which allows controlling of more hydraulic functions at a time. The operator can adjust the speed at the levels: 10 % - 50 % - 100 %.

2. **PSAC (Proportional Single Axis Control)**, the traditional Winlet controls, where one function is operated step-less.

If you need to control the Winlet from a distance, we recommend our radio remote control.

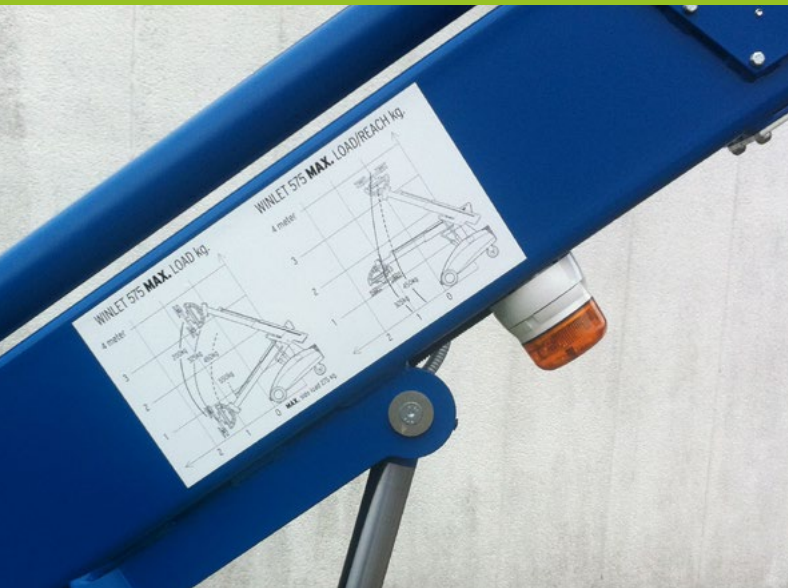
All operating panels are waterproof, according to the IP65 regulations.

Safety first!

All Winlets are equipped with a state-of-the-art overload monitoring system, which continuously measures the point loading on the steering wheels. If point loading is getting too low the system will automatically cut off the hydraulic functions and only allow hydraulic cylinders to bring the load closer to the machine.



Winlet accessories



Make the most of your Winlet

Winlet comes with a wide range of accessories. Here is a few of our most popular items:

- **LIFTING FORK & LIFTING HOOK**
 - for lifting of pallets or with straps
- **LIFTING SLING**
 - for lifting the Winlet by crane
- **SHUT-OFF VALVES**
 - on suction cups
- **QUICK CONNECTORS**
 - on suction cups or main supply
- **EXTENSION OF THE BEAMS**
 - customized cross - and main beams
- **RADIO REMOTE CONTROL**
- **QUICK SHIFT FOR TELEHANDLER**

Please consult our experts to find the right accessories for your project.



Lifts all airtight material

All Winlet glazing robots can easily be adapted to lift a wide range of materials by changing the suction cups. This makes Winlet ideal when handling:

- | | |
|---------------|---------------|
| GRANITE | WOODEN PLATES |
| CONCRETE | TILES |
| PLASTERBOARDS | FIRE DOORS |
| STEEL PLATES | |

